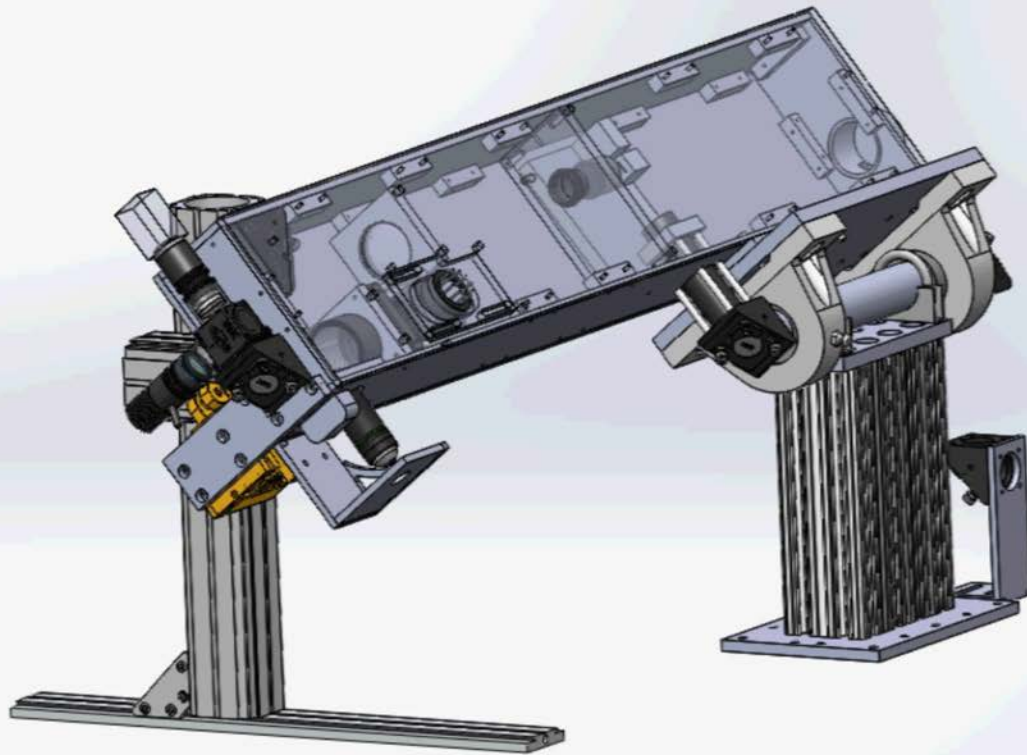


# Neurotechnology Instrumentation Development

You can't buy the bleeding edge.  
You have to make it.



Joel Greenwood Ph.D.

Director of Neurotechnology

Department of Neuroscience, Yale University School of Medicine

Yale Day of Instrumentation • Nov 16<sup>th</sup> 2018

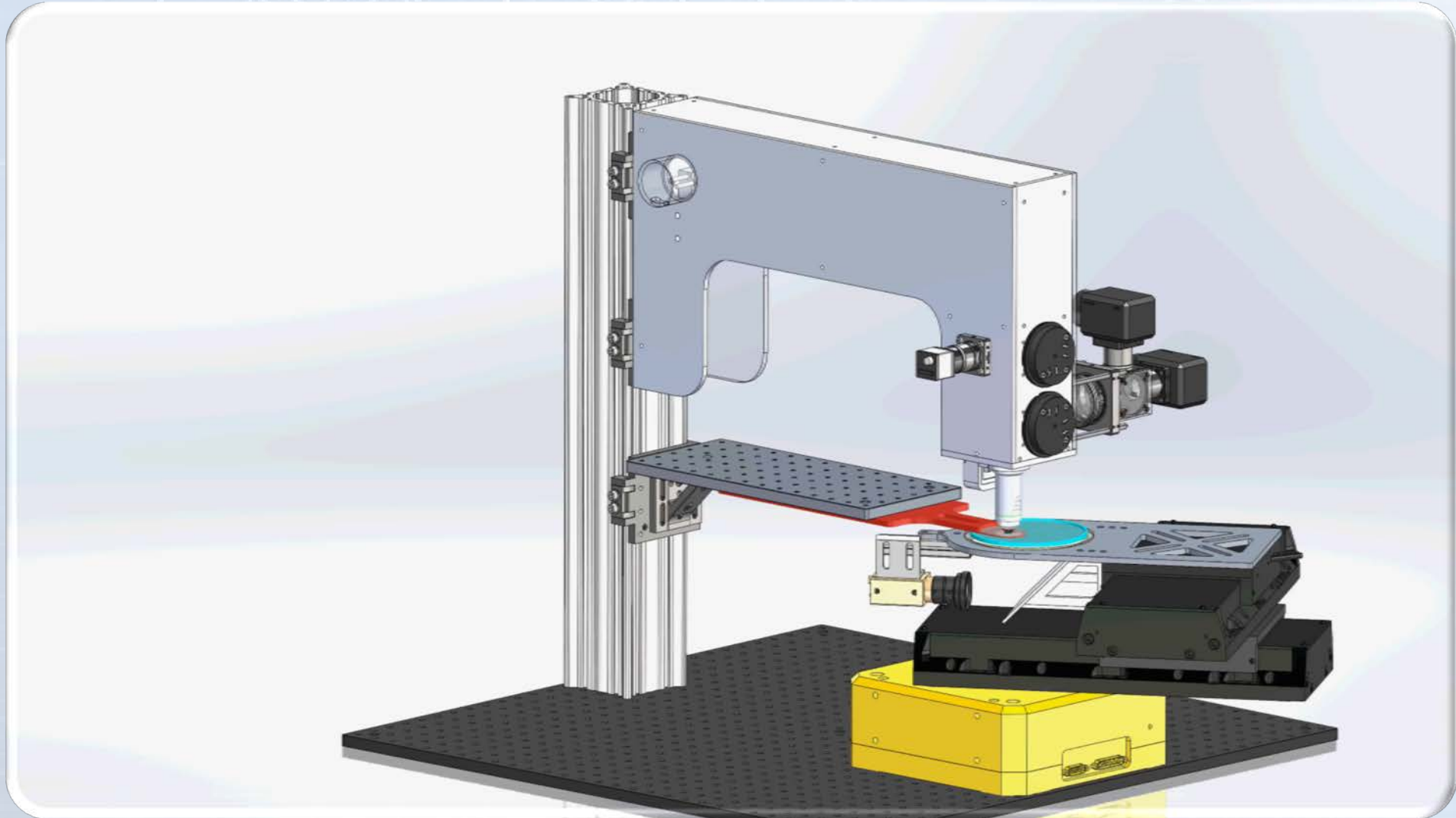


THE  
**KAVLI**  
FOUNDATION



Yale University  
School of Medicine

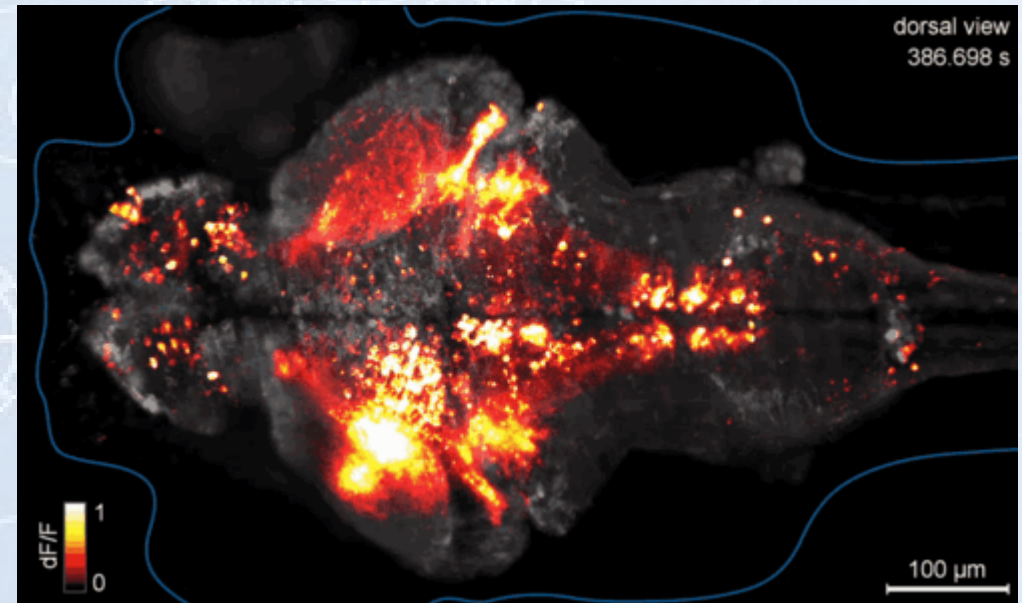
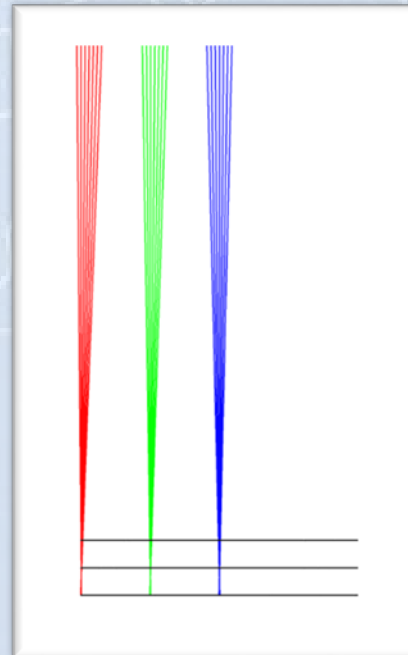
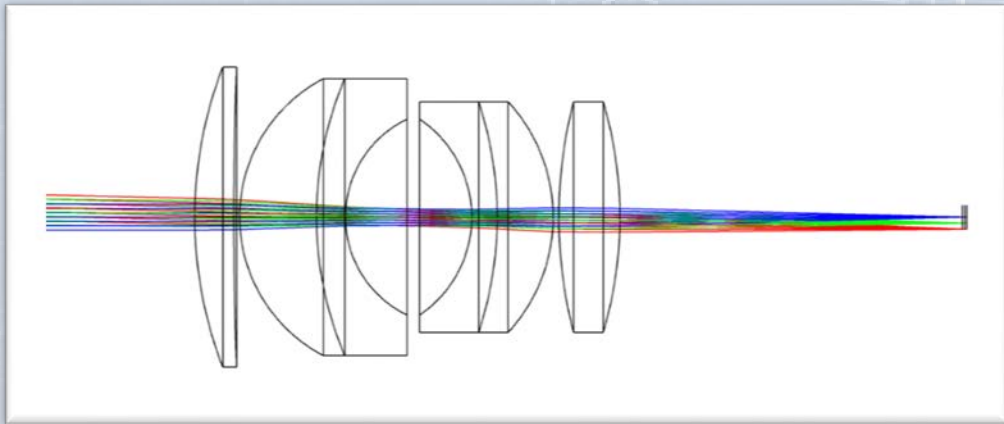
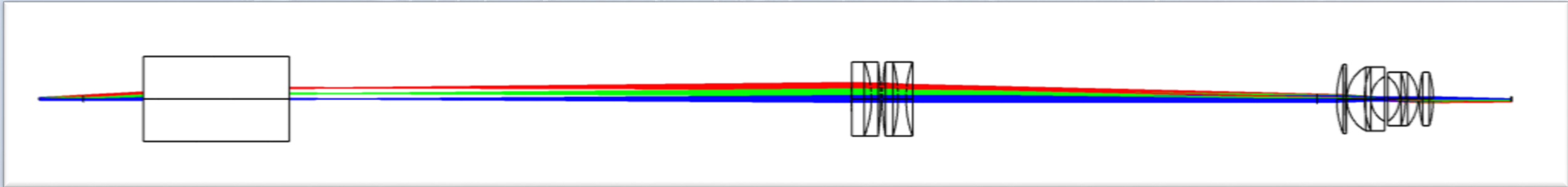
# Multi-photon neural imaging during active social behavior in *Drosophila*



# Multi-axis light-sheet

with visual stimulation for fast, whole-brain imaging in zebrafish

Collaboration with Hoffman Lab @ Yale Med



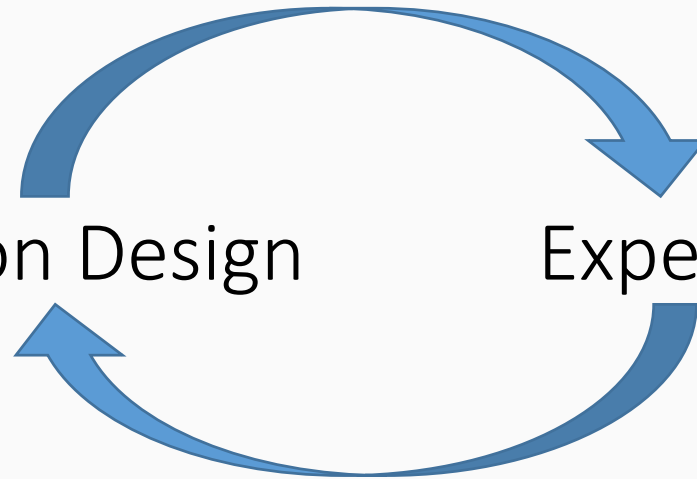
Movie credit – Ahrens MB et al. Nat Methods. (2013)

# Yale Instrumentation Initiative

Scientific Advancement ↔ Instrumentation

Instrumentation Design

Experimental Design



# Yale Instrumentation Initiative

an opportunity for something radical

No Boundaries. No Chargebacks.

Scientific Inquiry



Instrumentation Design



Fabrication